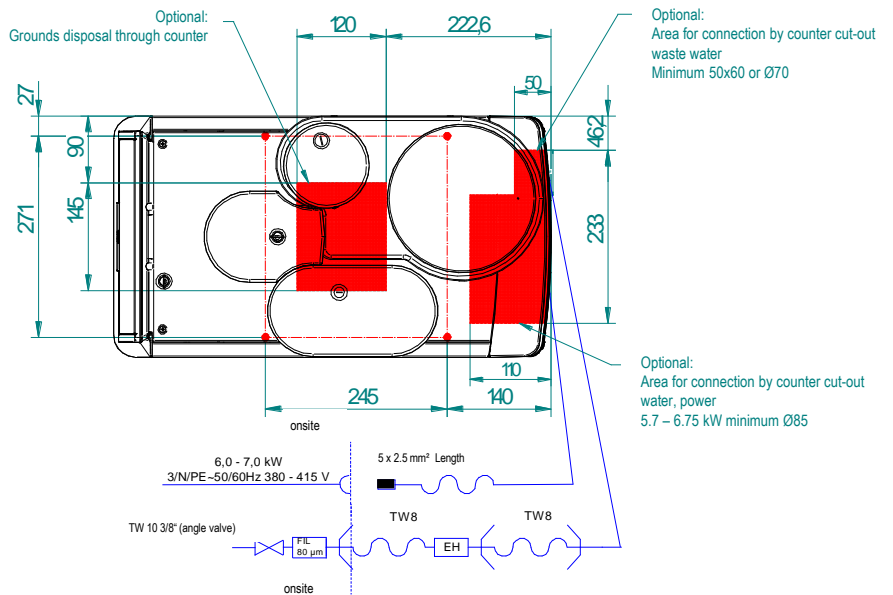
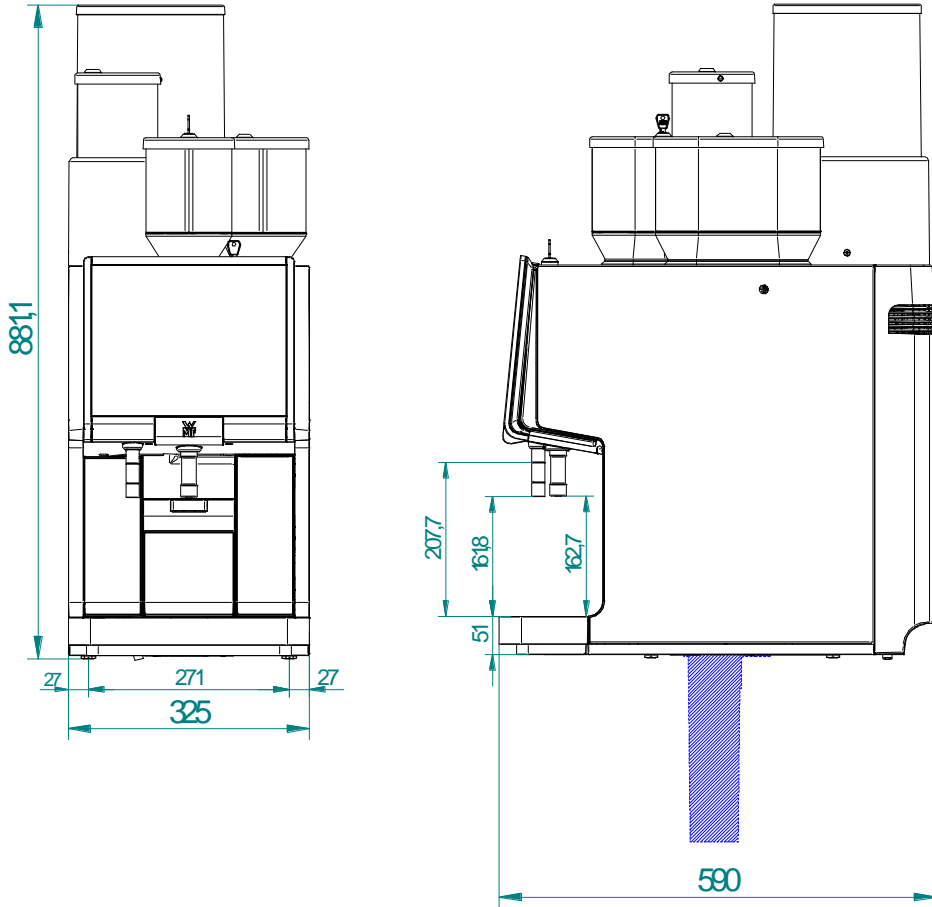


# Planning Information WMF 1500 F



Measurements in mm

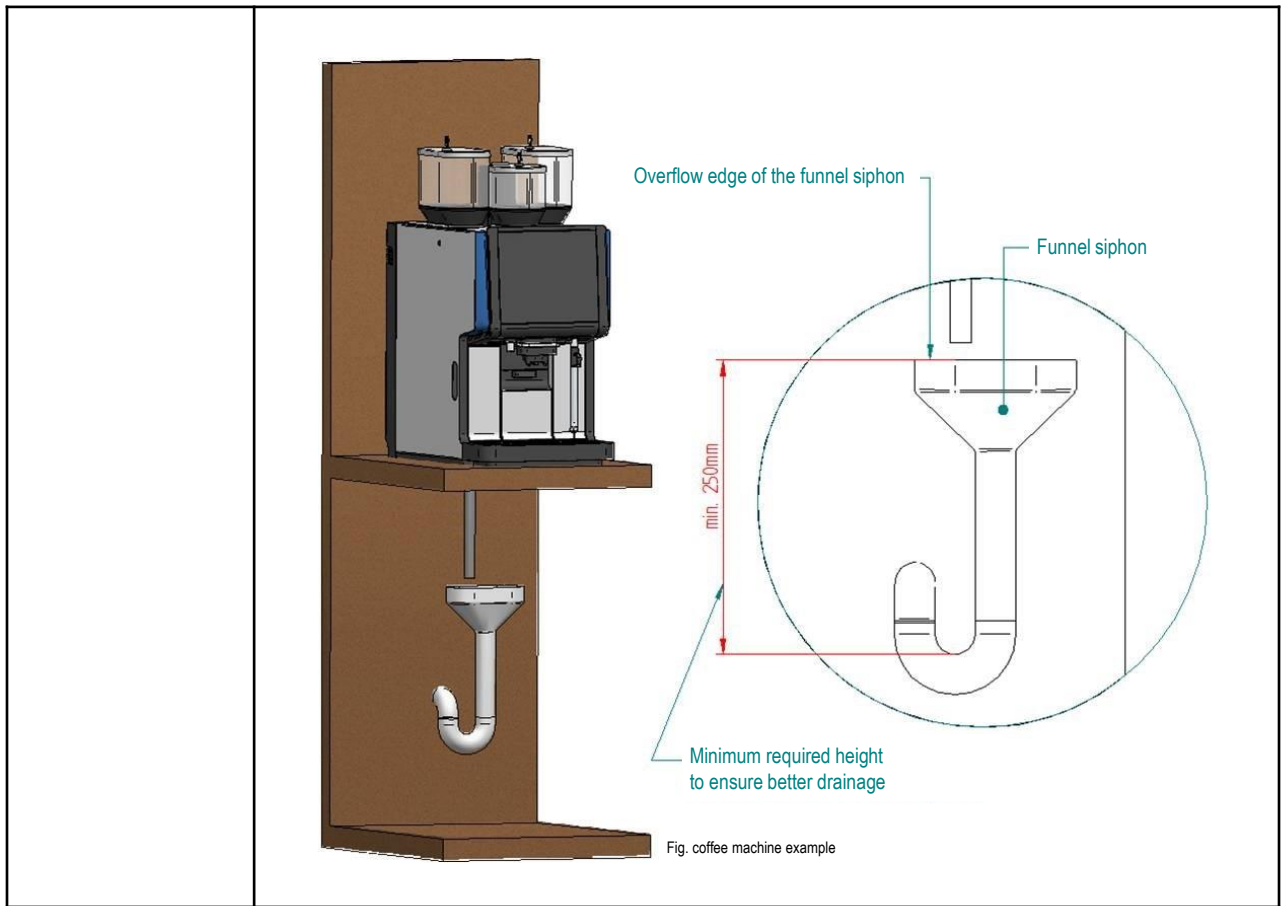
**General Conditions for Operation and Installation:**

Any necessary on-site preparatory work for electricity, water and drainage connections at the customer’s premises is to be arranged by the machine owner/operator. The work must be carried out by authorised installation technicians in compliance with general, country-specific and local regulations. The WMF service engineers may only connect the coffee machine to existing prepared connection points. WMF Service is neither authorised nor responsible for carrying out any on-site installation work prior to connection. Moreover, WMF service engineers are not authorised to carry out cut-outs and/or drilling at counters or under-counter furniture. The potential equalisation unit is fitted by the WMF Service if required.

**Data Sheet WMF 1500 F**

<p><b>Dimensions and empty weight:</b></p>	<p>Width: 325 mm                  Height: 881 mm                  Depth: 590 mm (640 mm)                  Clearance height: 165 mm (206 mm with removed spout)</p> <p>Weight: approx. 40 - 45 kg</p>
<p><b>Onsite preparatory work:</b></p>	
<p><b>Water connection:</b></p>	<p>With constant water supply:                  Water supply: 3/8" hose connector with main shutoff valve and dirt filter, onsite                  Flow pressure: min. 0.2 MPa (2 bar) at 2 l/min, max. 0.6 MPa (6 bar)                  Water drainage: Hose a minimum of DN 19, minimum downward slope of 2 cm/m.</p> <p>Water temperature: max. 35°C</p>
<p><b>Electrical data:</b></p>	<p>Nominal power rate: 6 – 7 kW                  Power supply: 380 - 415 V 50/60Hz 3/N/PE                  Degree of protection: IPX0                  Protection class: I</p>
<p><b>Installation clearance:</b></p>	<p>Due to operating, service and safety reasons the machine should be installed with a clearance of not less than 50 mm at the back and sides from the building or non-WMF components.</p> <p>A minimum working space of 800 mm in front of the coffee machine and a free height of 200 mm above the bean hoppers are recommended. The recommended height of the installation surface above the floor is at least 850 mm.</p> <p>If the connections of the device are to be routed downwards through the counter, please note the space requirements of the lines, which may restrict the usable space in the under-counter area. Additional space is also required for the option "Grounds disposal through counter" (grounds disposal pipe and onsite grounds container). The corresponding cut-outs must be provided on site.</p> <p>If the coffee machine is operated in combination with a water filter, additional space is required in the under-counter area, depending on the size of the water filter. For further information, please refer to the user manual of the water filter.</p>
<p><b>Ventilation:</b></p>	<p>If ventilation possibilities are limited, sufficient ventilation needs to be provided (e.g., device on feet, active ventilation, additional ventilation slots/openings in counter area etc.). Ventilation slots must not be covered. Under certain circumstances a forced ventilation on site is required to ensure heat dissipation onsite.</p>
<p><b>Footprint:</b></p>	<p>The device must be placed and leveled on a horizontal and sturdy, water-resistant and heatproof base.</p> <p>The device must not be located on a surface that is sprayed or cleaned with a water hose, steam jet, steam cleaner, or similar devices.</p>

<p><b>Electrical connection:</b></p>	<p>These specifications for the electrical connection and the standards quoted apply for connecting the coffee machine in EU countries. It may be necessary to also observe additional country-specific regulations. Outside the EU countries, acceptance of the standards quoted is to be checked by the person placing the coffee machine on the market..</p> <p>The local power supply must be constructed according to the currently valid IEC 364 (DIN VDE 0100).</p> <p>Near the machine (max. 800 mm from the machine), a 5-pole CEE/CEKON socket per DIN EN 60309 or a country-specific multi-pole socket must be available. The sockets are part of the customer's on-site installation.</p> <p>The mains cable must not come into contact with hot components. If the mains cable of this device has been damaged, it must be replaced by our service personnel or a similarly qualified person, in order to prevent hazards.</p> <p>Important advice concerning accounting systems: When using a card reader and depending on the version of the card reader, an additional and separately protected earthed socket may have to be installed on site. The required fuse protection must be requested from the supplier of the card reader.</p> <p>In order to avoid possible interferences of our shielded data lines by potential equalisation currents between the devices, an additional potential equalisation according to VDE 0800-2 should be provided for the devices connected to an accounting system (see DIN EN 50310).</p>
<p><b>Water supply and water drainage:</b></p>	<p>The water supply must be close to the machine (max. 800 mm from the machine). A sufficiently dimensioned shut-off valve (preferably ball valve) and a dirt trap, mesh size 0.80 mm, must be installed in the water supply line in the under-counter cabinet so that it is easily accessible.</p> <p>For the connection from below through the counter, a cut-out must be made on site in one of the hatched areas according to the drawing (see top view), or a drilling of approx. 80 - 120 mm must be made.</p> <p>We generally recommend the use of a water filter. Your WMF service partner will be pleased to advise you on the selection of the correct water filter.</p> <p>If the water filter recommended by WMF Service is not installed upstream, the coffee machine may be damaged (e.g., due to scaling).</p> <p>In case of a drain connection, a funnel siphon must be installed in the ventilated drain pipe. It is important to ensure that the funnel siphon is installed in a vertical position. This means that it must always be perpendicular to the water backflow level. It must be installed in such a way that the specified slope of the drain hoses (2%) is maintained.</p> <p>In addition, the height of the funnel siphon must always be <u>below</u> the coffee machine drains and <u>above</u> the actual drain pipe connections (HT40, HT50 or similar).</p> <p>Into one funnel siphon, a maximum of two WMF coffee machines with DN19 hoses should be fed. Other appliances (dishwashers, sinks, etc.) should be installed elsewhere.</p> <p>The funnel siphon incl. the DN19 hoses must not be subjected to any major tensile, pressure or torsional loads. This can cause damage to the mechanical components. As a result, the useability may be lost.</p> <p>Any necessary on-site preparatory work for the drainage connections is to be arranged by the machine owner/operator. The work must be carried out by authorised installation technicians in compliance with general, country-specific and local regulations.</p> <p>The following drawings serve to illustrate the drains and do not include any other connections, such as electricity or supply water!</p>



<b>Other:</b>	Ambient temperature:	+ 5°C to +35°C (empty the water system in case of frost)
	Max. humidity:	80% rel. humidity without condensation, no spray water. Do not use device outdoors.
	Sensible heat output:	0.082 kWh/h in standby mode 6.24 kWh/h in maximum operation
	Cont. sound pressure level:	< 70 dB (A)

Please find further information such as user manual, safety data sheet and certificates under:

<https://coffeconnect2.wmf.com>

All indications refer to coffee machines/equipment as standard version.

Individual solutions may differ from the standard version!